

Lifting column JC35EN2



**TECHNOLOGY
DRIVES INTELLIGENT LIFE**

Data sheet

Lifting column JC35EN2

Features

- EN2 is designed for linear lifting column with one of 24VDC actuator inside
- It is designed to provide vertical lift (only push) in where both need bending and torque force
- EN2 has three types: EM2-A(small), EM2-B(medium) and EM2-C(large)
- There are two processed plates with four holes to fix
- Anodised aluminium, strong and wearproof
- Low noise
- Nice design
- Protection class: IP43



Options

- With hall-sensor (apply for synchronize or memory function)

Usage

- Usage temperature: From +5° to +40°
- Duty cycle: 2 minutes continuous use followed by 18 minutes not in use
- Compatibility: JCB35A, JCB35B, JCB35E, JCB35Q, JCB35T and JCB35R

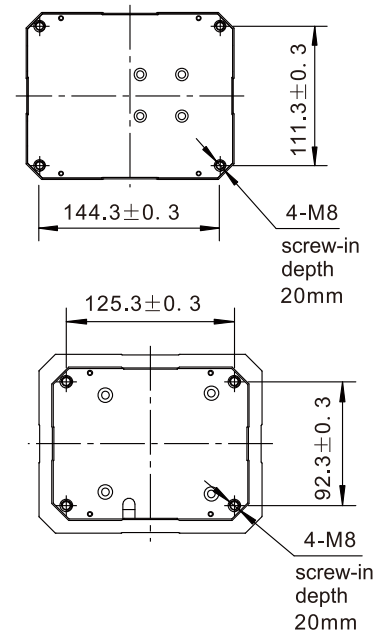
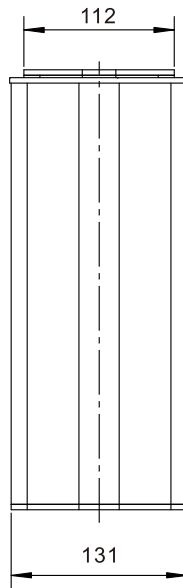
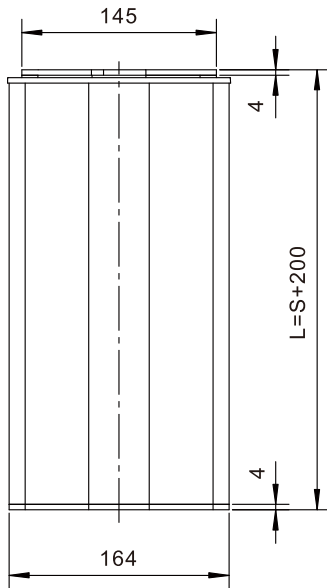
Technical specifications

Spindle pitch (mm)	Push max (N)	Self-lock (N)	Bending force max(Static) (NM)	Bending force max(Dynamic) (NM)	Speed without load (mm/s)	Speed under load (mm/s)	Current under load (A)
4	6000	6000	900	400	5	3	5.2
5	4000	4000	900	400	6.5	4	4.5
5	2000	2000	900	400	13	9	4.2

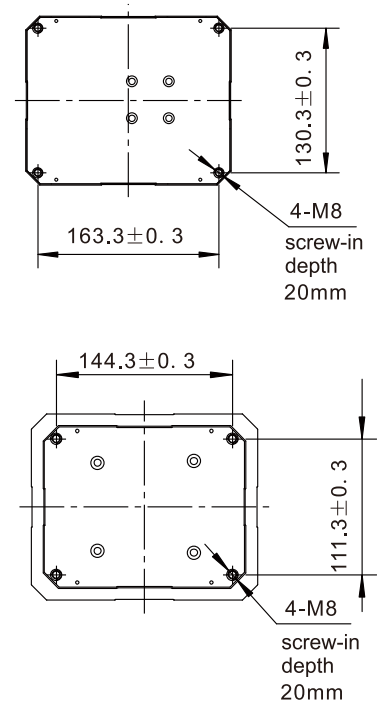
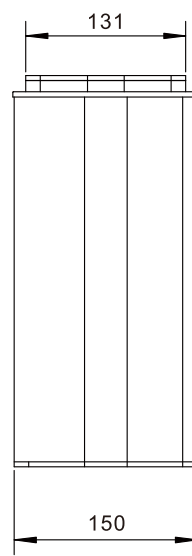
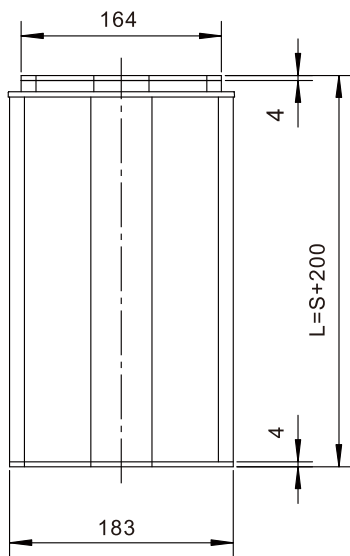
Comments to table

- The above measures are made in connection with 24V DC stabilized voltage supply.
- JIECANG control boxes are designed so that they will short-circuit the motor terminals (poles) of the actuator(s) when the actuator(s) are not running. This solution gives the actuator(s) a higher self-locking ability. If the actuator(s) are not connected to a JIECANG control box, the terminals of the motor must be short-circuited to achieve the self-locking ability of the actuator.
- The max bending force is tested with stroke of the column is less than 300mm
- The max stroke is 300mm with loading force is 6000N
The max stroke is 400mm with loading force is 4000N
The max stroke is 600mm with loading force is 2000N

Dimension

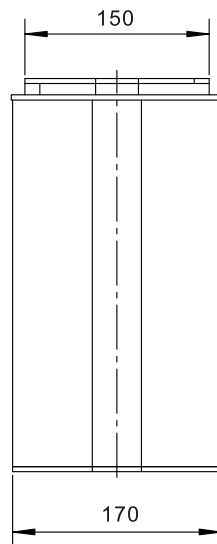
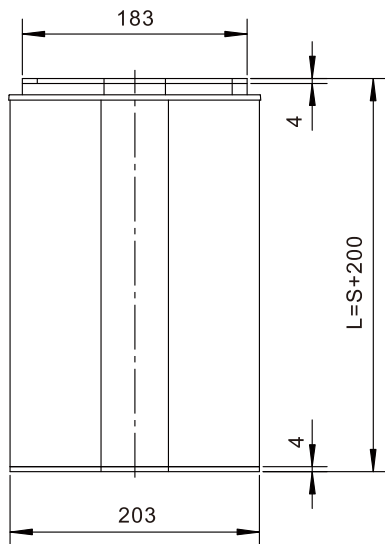


JC35EN2-A

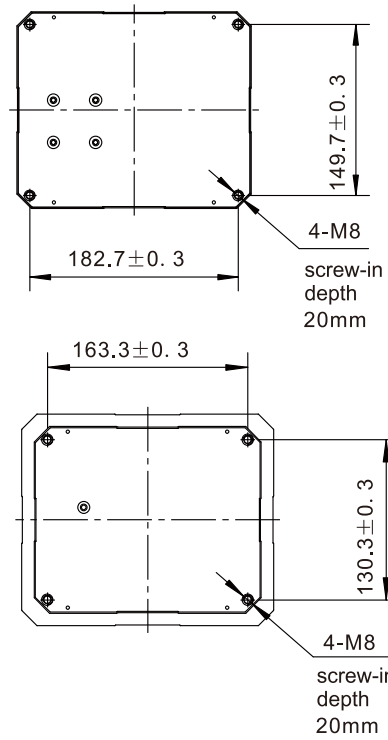


JC35EN2-B

Dimension



JC35EN2-C



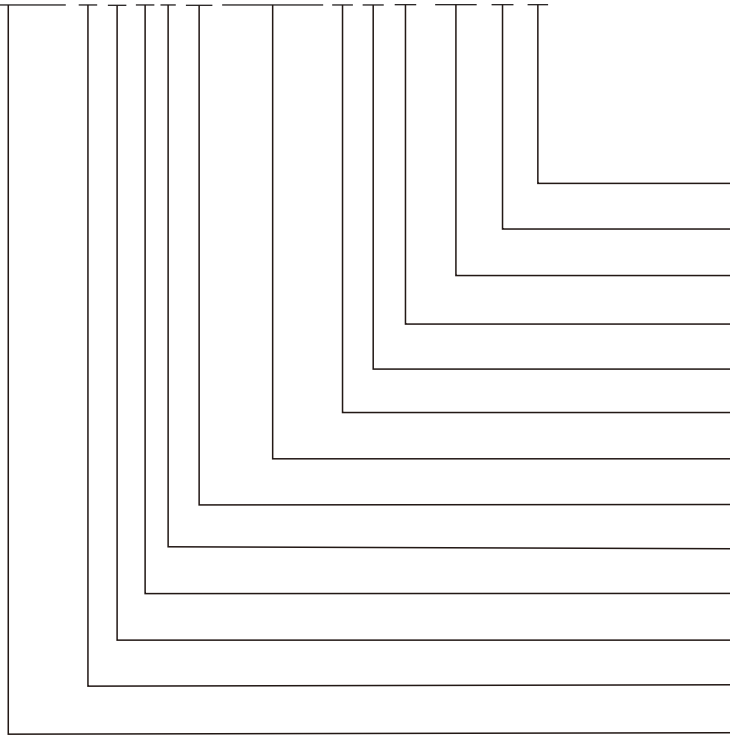
Installation dimensions

$$L=S+200 \quad (S < 400)$$

$$L=S+220 \quad (400 \leq S \leq 600)$$

Ordering Key

JC35EN2 Y C 4 4 24 200/400 O 1 10 1D5 07 G



Color	G=Grey
Surface	07=Oxidation treatment
Cable Length	1D5=1.5m
Plug and Cable	
Connection Position	1=Top mounting plate outlet
Mounting	O=220*96*12
Stroke/Retraced Length	
Input Voltage	24V
Speed at Full Load	4=4mm/s
Load	4=4000N
Profile Code	
Options	
Type	