

Lifting column JC35EG3



Data sheet

Lifting column JC35EG3

Features

- Motor: 24VDC
- Built-in dimension: 400mm(+/-4)
- Stroke length: Max 400mm(+/-4)
- Load in push: 2000N
- Static bending moment: 400NM
- Dynamic bending moment: 200NM
- Protection class: IP54
- Colour: white with powder coat
- Built-in electrical limited switch-not adjustable
- Noise level: 48dB
- Approvals: CE ,UL



Options

- With hall-sensor (apply for synchronize or memory function)
- With aluminium holder for mounting

Usage

- Usage temperature: From +5° to +40°
- Duty cycle: 2 minutes continuous use followed by 18 minutes not in use
- Compatibility: JCB35A, JCB35B, JCB35E, JCB35Q, JCB35T and JCB35R

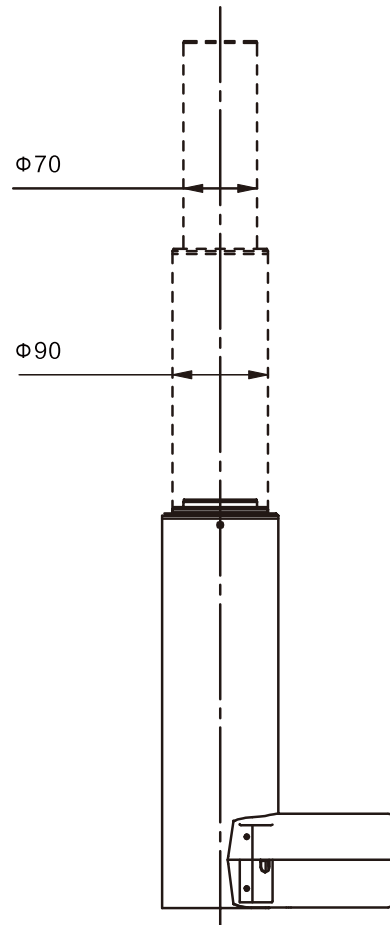
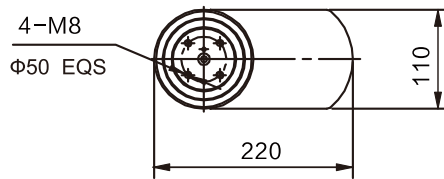
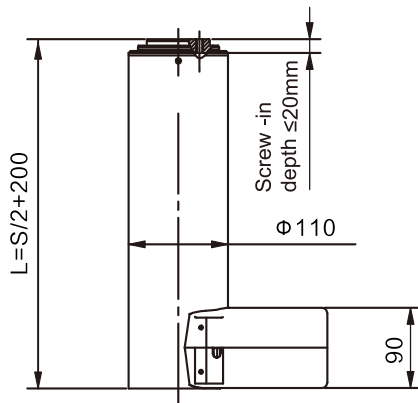
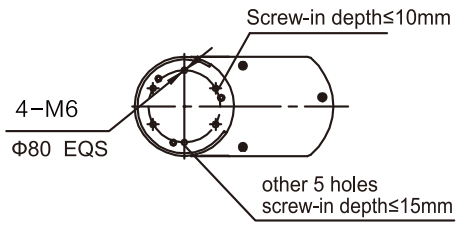
Technical specifications

Spindle pitch (mm)	Push max (N)	Self-lock (N)	Bending force max(Static) (NM)	Bending force max(Dynamic) (NM)	Speed without load (mm/s)	Speed under load (mm/s)	Current under load (A)
6	2000	2000	400	200	15	10	6.5

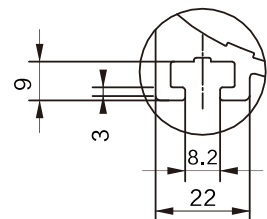
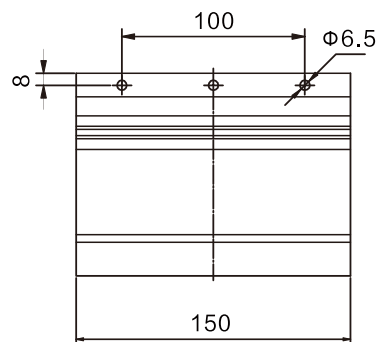
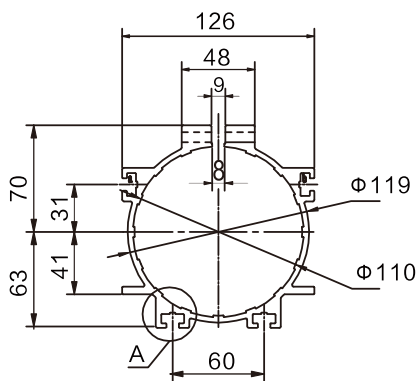
Comments to table

- The above measures are made in connection with 24V DC stabilized voltage supply.
- JIECANG control boxes are designed so that they will short-circuit the motor terminals (poles) of the actuator(s) when the actuator(s) are not running. This solution gives the actuator(s) a higher self-locking ability. If the actuator(s) are not connected to a JIECANG control box, the terminals of the motor must be short-circuited to achieve the self-locking ability of the actuator.

Dimension



Aluminum holder dimension (option)

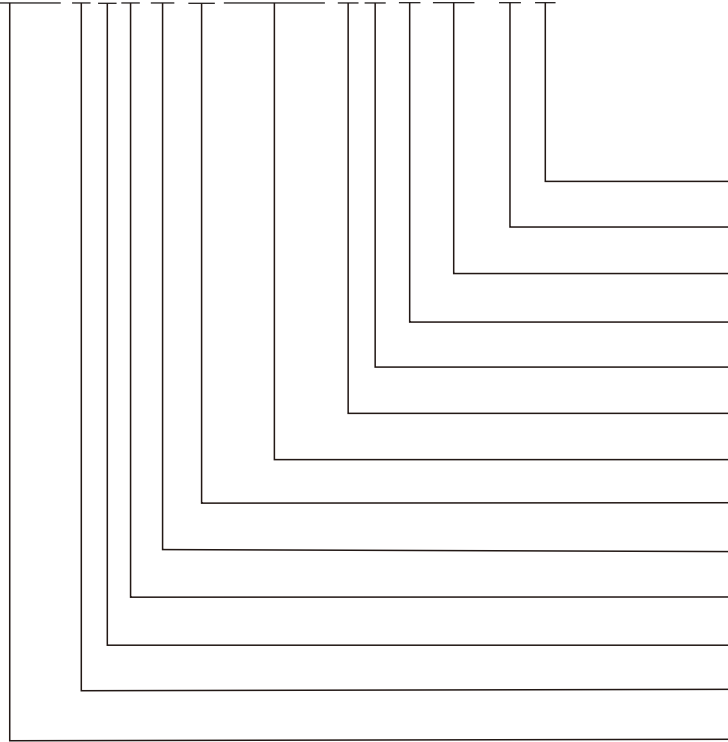


Installation dimensions

$L = S/2 + 200$

Ordering Key

JC35EG Y 0 2 10 24 300/355 O 0 10 3D0 10 W



Color	W=White
Surface	10=Spray treatment
Cable Length	3D0=3m
Plug and Cable	
Connection Position	0=Top side outlet
Mounting	O=220*96*12
Stroke/Retraced Length	
Input Voltage	24V
Speed at Full Load	10=10mm/s
Load	2=2000N
Profile Code	
Options	Y=Hall sensor
Type	